

Optional Cams

For DCN, DCR and B7
3/4" Diameter Cam Locks

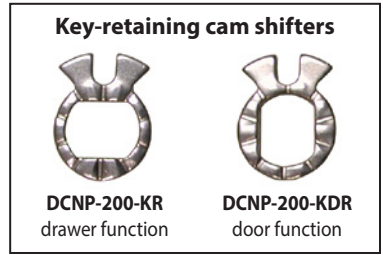
GENERAL SPECIFICATIONS

Use with: DCN, DCR and B7 series 3/4" cam locks

Reversible: All bent cams are reversible and can be used in either the inbent or outbent position.

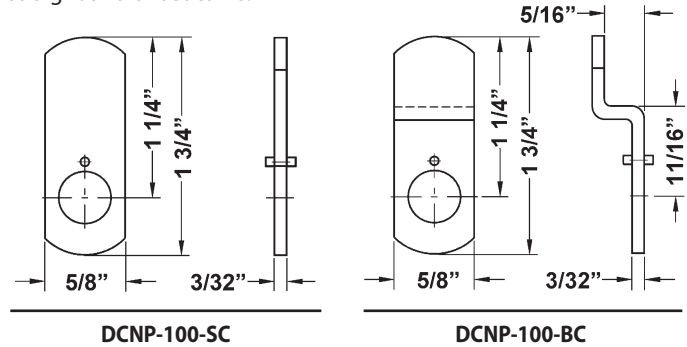
Patented technology: All cams work with our patented cam shifting system that allows all cams to lock in all four positions: up, down, right or left.

Optional shifters: Key-retaining shifters (key removable in locked position only) are available separately. See graphic in upper right-corner for detailed information.



Standard Cams

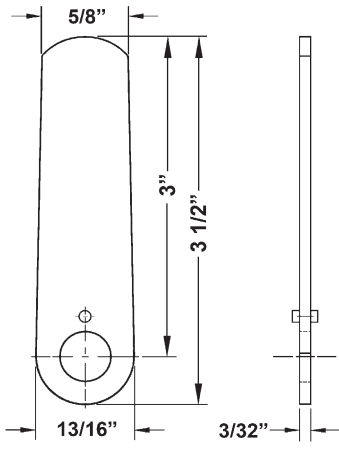
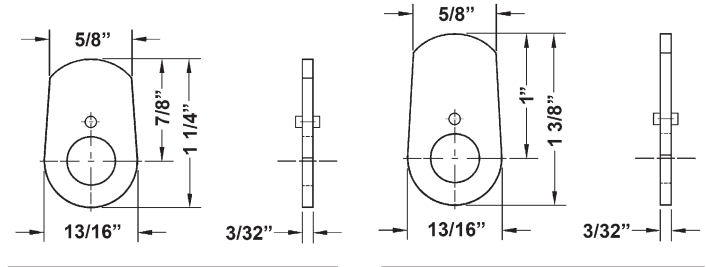
The DCN, DCR and B7 series cam locks ship standard with the following straight and offset cams:



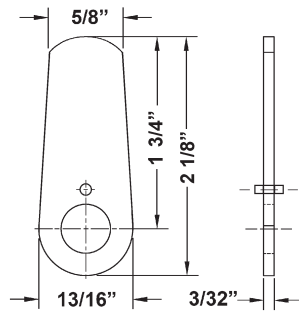
Standard Cams	
Item #	Description / Packed Each
DCNP-100-SC	1-1/4" long straight cam
DCNP-100-BC	1-1/4" long cam, 5/16" offset

SEE BACK OF PAGE FOR ADDITIONAL CAMS

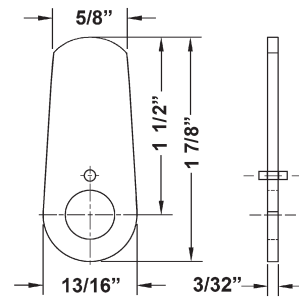
Straight Cams	
Item #	Description / Packed Each
DCNP-HD-1	1" long straight cam
DCNP-HD-875	7/8" long straight cam
DCNP-100-SC2	1-3/4" long straight cam
DCNP-100-SC3	1-1/2" long straight cam
DCNP-100-LC	3" long straight cam



DCNP-100-LC
3" long straight cam



DCNP-100-SC2
1-3/4" heavy duty straight cam



DCNP-100-SC3
1-1/2" heavy duty straight cam

WARNING: This product can expose you to chemicals including chromium, which is known to the State of California to cause cancer and birth defects or other reproductive harm. For more information go to www.P65Warnings.ca.gov.

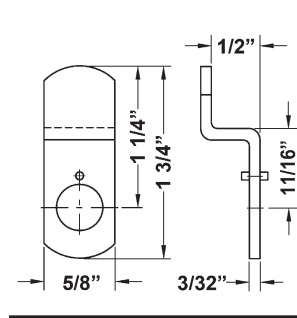


Optional Cams

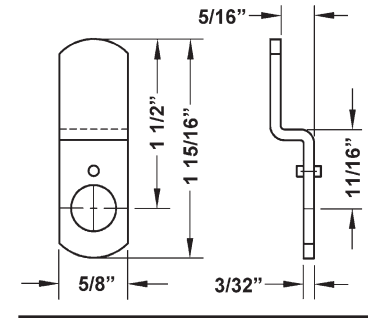
For DCN, DCR and B7 3/4" Cam Locks

OPTIONAL OFFSET CAMS

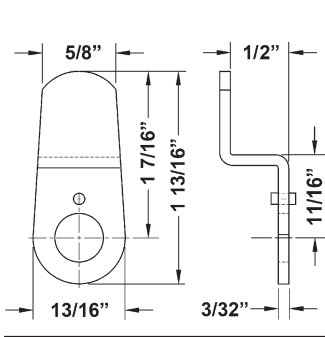
Offset Cams	
Offset cams are reversible and can be used in either the inbent or outbent position.	
Item #	Description / Packed Each
DCNP-100-BC5	1-1/4" long cam, 1/2" offset
DCNP-100-HC1	1-1/2" long hook cam, 5/16" offset
DCNP-100-HD	1-7/16" long cam, 1/2" offset
DCNP-100-HD2	1-3/4" long cam, 5/16" offset
DCNP-100-HD3	1-1/8" long cam, 5/16" offset
DCNP-100-LBC	1-1/2" long cam, 5/16" offset



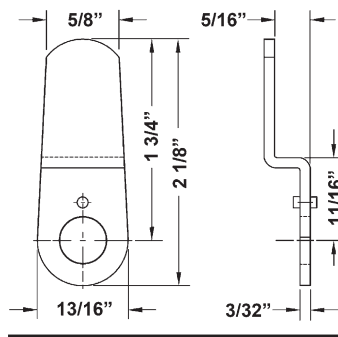
DCNP-100-BC5
1/2" offset cam



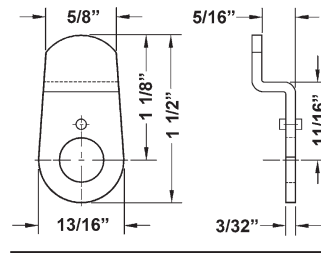
DCNP-100-LBC
3" long offset cam



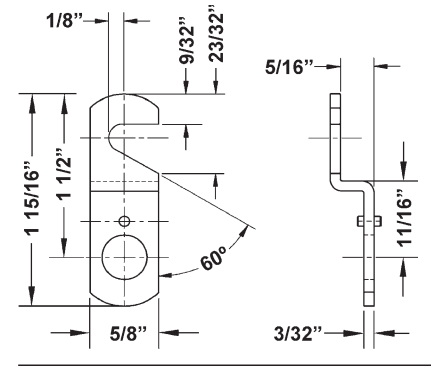
DCNP-100-HD
1-7/16" heavy duty offset cam



DCNP-100-HD2
1-3/4" heavy duty offset cam



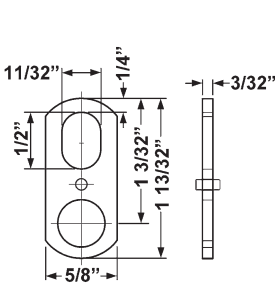
DCNP-100-HD3
1-1/8" heavy duty offset cam



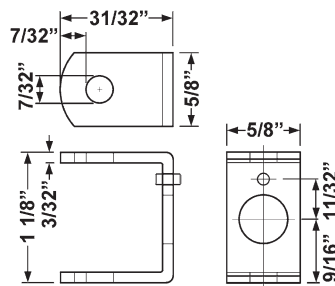
DCNP-100-HC1
offset hook cam

OPTIONAL SPECIALTY CAMS

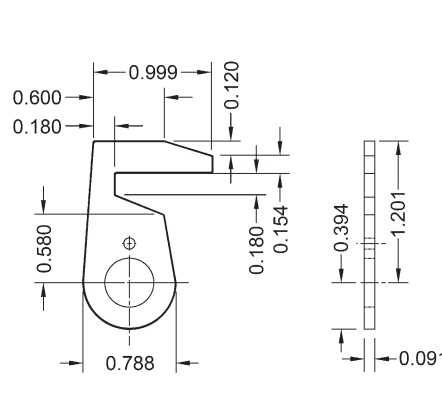
Specialty Cams	
Item #	Description / Packed Each
DCNP-100-HC1	1-1/2" long hook cam, 5/16" offset
DCNP-100-B1	1-3/32" long straight cam w/cutout
DCNP-100-B2	U-shaped cam
DCNP-100-B3	1.2" long straight hook cam
DCNP-100-WB	Short cam with perpendicular arm



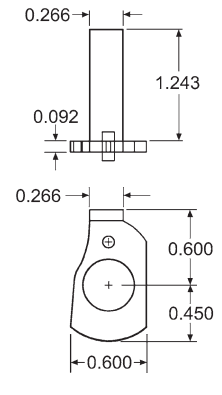
DCNP-100-B1
straight cam w/cutout



DCNP-100-B2
U-shaped cam



DCNP-100-B3
straight hook cam



DCNP-100-WB
short cam with perpendicular arm